

HÄFELE



LET LIFE  
COME TO YOU.

MOOVIT MX DRAWER SYSTEMS.

# LET LIFE COME TO YOU.

## MOOVIT MX DRAWER SYSTEMS.

In a modern world, where it can feel as though we are short on both time and space, we look to our living spaces to deliver solutions that allow us to make the most of these luxuries.

Life is easier when what we want is in front of us. And, having to delve into kitchen and bedroom cupboards to get to things can be laborious, especially with a lack of light.

The latest storage concept introduces movement in an increasingly popular application throughout cleverly designed homes and workspaces – this simple solution replaces cupboards with drawer systems.

The new Moovit MX drawer system from Häfele is designed to facilitate the concept of delivering life to you in smooth, elegant movements. The Moovit MX asks you to open your mind to new possibilities; to a new, easier lifestyle that quite simply, makes things better.

Be free and embrace the modern world and all it has to offer: Moovit MX drawer systems. Let life come to you.



## UNIVERSAL APPLICATION.

The Moovit MX has the versatility to be used anywhere with a universal style and function. With a premium runner at the heart of the system, a wide range of depths, multiple load capacities and a range of colours, the Moovit MX can fit in how and where you need it to.

## THE KITCHEN MOOVIT MX.

Premium German engineering provides sleek movement with soft close action, making this drawer system the first choice for kitchens.

- ✓ Choose your ideal combination of kitchen drawer types, from:
  - Standard
  - Pan
  - Pan with decorative sides
- ✓ Replace kitchen cupboards with the Moovit MX to easily pull out storage jars, pots and pans
- ✓ Enhance the standard drawer with the cutlery insert for smart storage solutions
- ✓ Use the 60 mm drawer side for under hob application

THE PERFECT KITCHEN SOLUTION.

## THE BEDROOM MOOVIT MX.

Forget searching in the dark at the bottom of your wardrobe when the Moovit MX is installed and let life come to you.

- ✓ Available in shorter depths to fit dressing tables and bedroom units
- ✓ Choose between 30 kg, 50 kg or 70 kg capacity drawers to house jeans, jumpers or even heavy shoes
- ✓ A choice of five colours of drawer sides means you can provide innovation and style to the bedroom
- ✓ Internal lighting available with the LOOX LED system

THE PERFECT BEDROOM SOLUTION.

## THE BATHROOM MOOVIT MX.

The Moovit MX drawer side offers a vertical inner for optimum use of space, to house everything from hair brushes to toothbrushes.

- ✓ Available with an under-sink add-on for seamless bathroom application (see page 32–33)
- ✓ Assembled back brackets for timber and metal to fit in with any modern bathroom design
- ✓ Soft close as standard to avoid waking the house up during your early morning routine
- ✓ On average, about 10% more storage space than competitors

THE PERFECT BATHROOM SOLUTION.

## THE COMMERCIAL MOOVIT MX.

The commercial requirement for solid, premium fitted storage solutions are realised in the 60 mm Moovit MX with smooth synchronised runners and optional locking systems.

- ✓ Tool-less drawer front assembly and removal make installation quick and easy, perfect for those on a tight project deadline
- ✓ Install the drawer locking system to house sensitive information or items
- ✓ Locking components can be used with standard systems
- ✓ Easy to order sets

THE PERFECT COMMERCIAL SOLUTION.

# INDIVIDUAL BY DESIGN.

With Moovit MX comes complete artistic control with the ability to design and create a unique drawer system that suits your customer. Choose from white, grey, silver, anthracite and bronze drawer side finishes, assembled back brackets for timber or metal and take advantage of the modular system with extension panels to build your required drawer height.

- > Unique range of colours
- > Assembled back brackets for timber or metal
- > Customise with your own side panels, using the panel holder
- > Stylish range of accessories
- > Customised branding on cover caps with printing or relief or embossing on drawer side apron



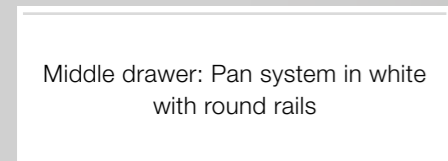
Top drawer: Standard system in white



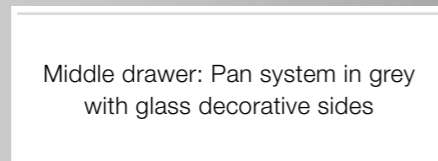
Top drawer: Standard system in grey



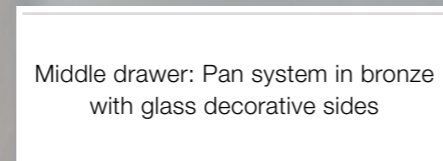
Top drawer: Standard system in bronze



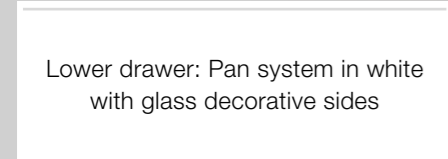
Middle drawer: Pan system in white with round rails



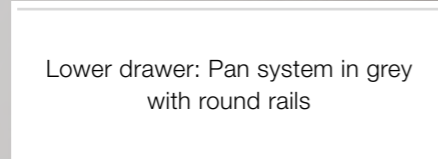
Middle drawer: Pan system in grey with glass decorative sides



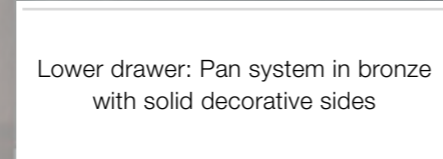
Middle drawer: Pan system in bronze with glass decorative sides



Lower drawer: Pan system in white with glass decorative sides



Lower drawer: Pan system in grey with round rails



Lower drawer: Pan system in bronze with solid decorative sides

White back and base used

Oak back and base used

Wooden back and base used



Top drawer: Standard internal system in silver  
Lower drawer: Pan system in silver with rectangular rails

90° inner resulting in 10 % more usable space\*

Push-on front fixing bracket

Soft close as standard

German engineering and production

Tool-less drawer front assembly and removal

EXCLUSIVE

Unique top access for side and height adjustments

Mounting support: Pressomat, drilling jigs and marking gauge for front-fix

Ready-assembled back bracket for use on metal or timber

Same width for base panel and rear panel

16 mm thickness base and back

Smooth synchronised, full extension runners

Quick mounting of decorative sides

Tilt adjustment for tall fronts gives stability to tall drawers

## MOOVIT MX. THE FUNCTIONAL CHOICE.

Optimum functionality comes as standard with the Moovit MX drawer system. High-end features such as soft close, smooth, synchronised runners and tool-less drawer front assembly and removal all make the Moovit MX the functional choice.

\* Compared to market systems



# MOOVIT MX. THE CHOICE FOR ALL.

The Moovit MX drawer system from Häfele has been designed with every stage of design, installation and end user in mind. Engineered to the highest standards, the Moovit MX is the first choice for designers, installers, manufacturers and customers alike.

## THE DESIGNERS' CHOICE

- > Unique range of colours
- > Stylish range of accessories
- > Fully customisable side panels



## THE MANUFACTURERS' CHOICE

- > German engineering
- > 16 mm and 18 mm base and back thickness options for flexibility
- > Assembled back brackets, for both timber and metal
- > Can use the same board for the back and base
- > Easy manufacturing: Pressomat machine



## THE INSTALLERS' CHOICE

- > Top adjustment – easy access in any situation
- > Pre-assembled option available for faster installation
- > Tool-less drawer front removal
- > Jigs available for easier drilling



## THE CUSTOMERS' CHOICE

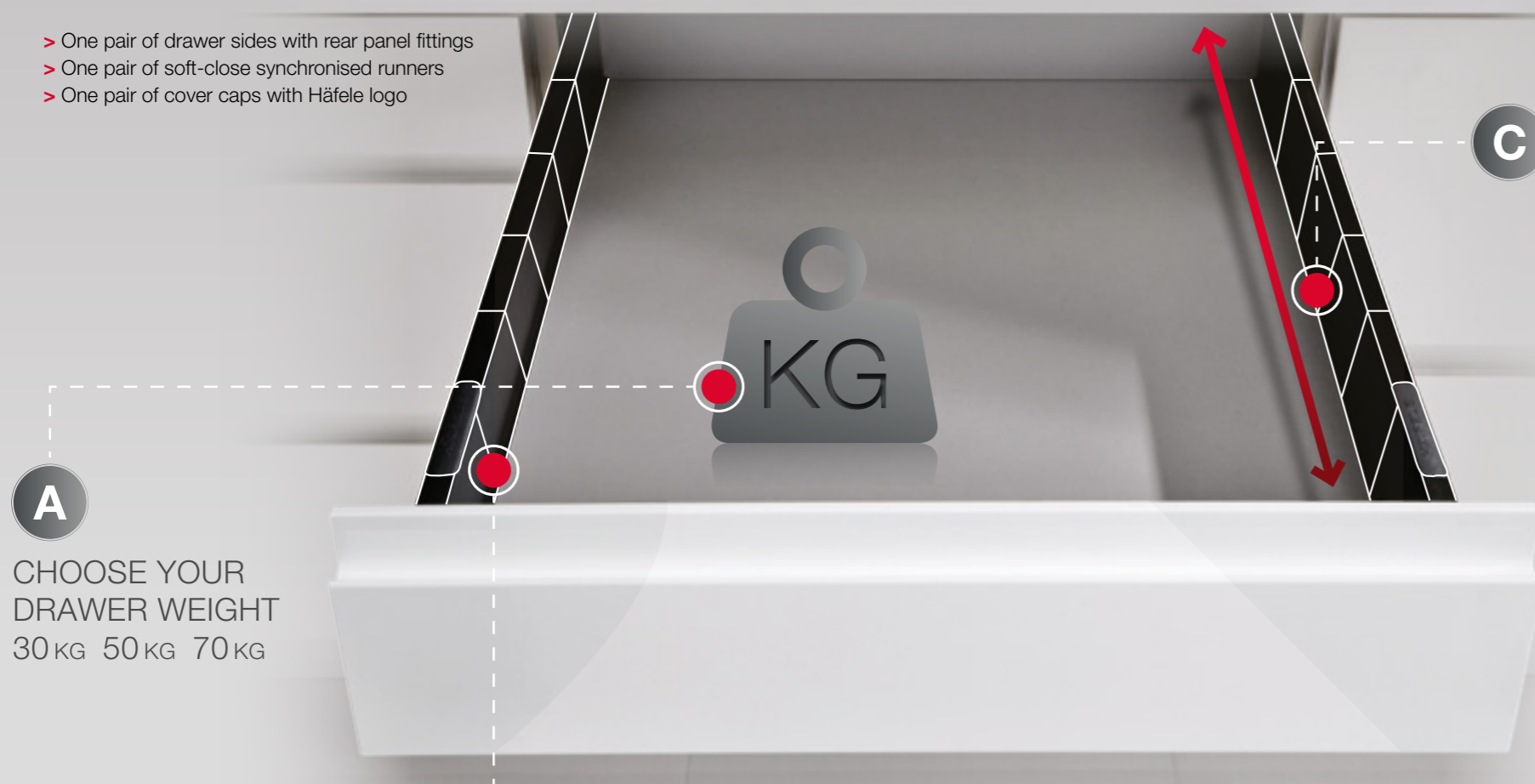
- > Full extension runners, easy access to content
- > Soft close action – an even smoother motion with synchronised runners
- > Vertical sides for more internal space
- > Make your space unique and individual with stylish colours and accessories



# BUILD YOUR DRAWER.

## 1 SELECT YOUR BASIC SYSTEM:

- > One pair of drawer sides with rear panel fittings
- > One pair of soft-close synchronised runners
- > One pair of cover caps with Häfele logo



**A** CHOOSE YOUR DRAWER WEIGHT  
30 KG 50 KG 70 KG

**B** CHOOSE YOUR DRAWER COLOUR



## 2 CHOOSE YOUR APPLICATION

**C** CHOOSE YOUR DRAWER DEPTH

270 MM	300 MM
350 MM	400 MM
450 MM	500 MM
550 MM	600 MM
650 MM	



STANDARD INTERNAL DRAWER  
PAGE 22



PAN DRAWER WITH RAILING  
PAGE 24/25



PAN DRAWER WITH DECORATIVE SIDES  
PAGE 26/27



PAN DRAWER WITH SOLID SIDES  
PAGE 28



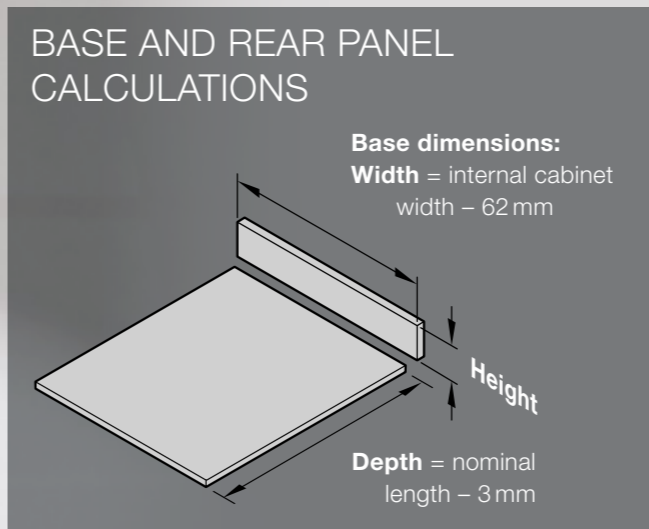
PAN INTERNAL DRAWER  
PAGE 30/31



UNDERSINK\* DRAWER  
PAGE 32/33



60 MM\*\* Drawer  
PAGE 37



\*Additional add-ons required, see relevant product pages for more information.  
\*\*Separate basic system required, see relevant product page for more information.








# STANDARD SET 92 MM.

## STANDARD DRAWER.

- > one pair drawer side height 92 mm with pre-mounted rear panel bracket
- > one pair full extension, soft-closed, synchronized runners
- > one pair of cover caps with Häfele logo



SELECT YOUR BASIC SYSTEM

	Depth mm	Load bearing capacity		
		30 kg	50 kg	70 kg
 WHITE	270	-	551.54.720	-
	300	-	551.54.721	-
	350	-	551.54.722	-
	400	-	551.54.723	-
	450	551.54.704	551.54.724	-
	500	551.54.705	551.54.725	-
	550	551.54.706	551.54.726	551.54.746
	600	-	551.54.727	551.54.747
	650	-	551.54.728	551.54.748
 GREY	270	-	551.54.520	-
	300	-	551.54.521	-
	350	-	551.54.522	-
	400	-	551.54.523	-
	450	551.54.504	551.54.524	-
	500	551.54.505	551.54.525	-
	550	551.54.506	551.54.526	551.54.546
	600	-	551.54.527	551.54.547
	650	-	551.54.528	551.54.548
 SILVER	270	-	551.54.920	-
	300	-	551.54.921	-
	350	-	551.54.922	-
	400	-	551.54.923	-
	450	551.54.904	551.54.924	-
	500	551.54.905	551.54.925	-
	550	551.54.906	551.54.926	551.54.946
	600	-	551.54.927	551.54.947
	650	-	551.54.928	551.54.948
 ANTHRACITE	270	-	551.54.320	-
	300	-	551.54.321	-
	350	-	551.54.322	-
	400	-	551.54.323	-
	450	551.54.304	551.54.324	-
	500	551.54.305	551.54.325	-
	550	551.54.306	551.54.326	551.54.346
	600	-	551.54.327	551.54.347
	650	-	551.54.328	551.54.348
 BRONZE	270	-	551.54.120	-
	300	-	551.54.121	-
	350	-	551.54.122	-
	400	-	551.54.123	-
	450	551.54.104	551.54.124	-
	500	551.54.105	551.54.125	-
	550	551.54.106	551.54.126	551.54.146
	600	-	551.54.127	551.54.147
	650	-	551.54.128	551.54.148

YOU ALSO NEED:

 **FRONT FIXING**  
Page 49




 **INSERTS**  
Page 38-45



**OPTIONAL ACCESSORIES**  
Page 49-54

# INTERNAL DRAWER SET.

- > one pair drawer side height 92 mm with pre-mounted rear panel bracket
- > one pair full extension, soft-closed, synchronized runners
- > one pair of cover caps with Häfele logo
- > one pair of panel holder for internal drawer box
- > one piece of internal front panel



	kg	Depth mm	Cabin Width			
			600 mm	900 mm	1200 mm	
 WHITE	30 kg	450	551.56.704	551.56.714	551.56.724	
		500	551.56.705	551.56.715	551.56.725	
		550	551.56.706	551.56.716	551.56.726	
	50 kg	270	551.56.730	551.56.740	551.56.750	
		300	551.56.731	551.56.741	551.56.751	
		350	551.56.732	551.56.742	551.56.752	
		400	551.56.733	551.56.743	551.56.753	
		450	551.56.734	551.56.744	551.56.754	
		500	551.56.735	551.56.745	551.56.755	
		550	551.56.736	551.56.746	551.56.756	
		600	551.56.737	551.56.747	551.56.757	
		650	551.56.738	551.56.748	551.56.758	
	70 kg	550	551.56.766	551.56.776	551.56.786	
		600	551.56.767	551.56.777	551.56.787	
		650	551.56.768	551.56.778	551.56.788	
	 GREY	30 kg	450	551.56.504	551.56.515	551.56.524
			500	551.56.505	551.56.515	551.56.525
			550	551.56.506	551.56.516	551.56.526
50 kg		270	551.56.530	551.56.540	551.56.550	
		300	551.56.531	551.56.541	551.56.551	
		350	551.56.532	551.56.542	551.56.552	
		400	551.56.533	551.56.543	551.56.553	
		450	551.56.534	551.56.544	551.56.554	
		500	551.56.535	551.56.545	551.56.555	
		550	551.56.536	551.56.546	551.56.556	
		600	551.56.537	551.56.547	551.56.557	
		650	551.56.538	551.56.548	551.56.558	
70 kg		550	551.56.566	551.56.576	551.56.586	
		600	551.56.567	551.56.577	551.56.587	
		650	551.56.568	551.56.578	551.56.588	
 SILVER		30 kg	450	551.56.903	551.56.913	551.56.923
			500	551.56.904	551.56.914	551.56.924
			550	551.56.905	551.56.915	551.56.925
	50 kg	270	551.56.930	551.56.940	551.56.950	
		300	551.56.931	551.56.941	551.56.951	
		350	551.56.932	551.56.942	551.56.952	
		400	551.56.933	551.56.943	551.56.953	
		450	551.56.934	551.56.944	551.56.954	
		500	551.56.935	551.56.945	551.56.955	
		550	551.56.936	551.56.946	551.56.956	
		600	551.56.937	551.56.947	551.56.957	
		650	551.56.938	551.56.948	551.56.958	
	70 kg	550	551.56.966	551.56.976	551.56.986	
		600	551.56.967	551.56.977	551.56.987	
		650	551.56.968	551.56.978	551.56.988	

	kg	Depth mm	Cabin Width			
			600 mm	900 mm	1200 mm	
 ANTHRACITE	30 kg	450	551.56.304	551.56.314	551.56.324	
		500	551.56.305	551.56.315	551.56.325	
		550	551.56.306	551.56.316	551.56.326	
	50 kg	270	551.56.330	551.56.340	551.56.350	
		300	551.56.331	551.56.341	551.56.351	
		350	551.56.332	551.56.342	551.56.352	
		400	551.56.333	551.56.343	551.56.353	
		450	551.56.334	551.56.344	551.56.354	
		500	551.56.335	551.56.345	551.56.355	
		550	551.56.336	551.56.346	551.56.356	
		600	551.56.337	551.56.347	551.56.357	
		650	551.56.338	551.56.348	551.56.358	
	70 kg	550	551.56.366	551.56.376	551.56.386	
		600	551.56.367	551.56.377	551.56.387	
		650	551.56.368	551.56.378	551.56.388	
	 BRONZE	30 kg	450	551.56.104	551.56.114	551.56.124
			500	551.56.105	551.56.115	551.56.125
			550	551.56.106	551.56.116	551.56.126
50 kg		270	551.56.130	551.56.140	551.56.150	
		300	551.56.131	551.56.141	551.56.151	
		350	551.56.132	551.56.142	551.56.152	
		400	551.56.133	551.56.143	551.56.153	
		450	551.56.134	551.56.144	551.56.154	
		500	551.56.135	551.56.145	551.56.155	
		550	551.56.136	551.56.146	551.56.156	
		600	551.56.137	551.56.147	551.56.157	
		650	551.56.138	551.56.148	551.56.158	
70 kg		550	551.56.166	551.56.176	551.56.186	
		600	551.56.167	551.56.177	551.56.187	
		650	551.56.168	551.56.178	551.56.188	

OPTIONAL:

 **INSERTS**  
Page 38–45






**OPTIONAL ACCESSORIES**  
Page 49–54

# PAN DRAWER SET.

## ROUND RAILS.

- > one pair drawer side height 92 mm with pre-mounted rear panel bracket
- > one pair full extension, soft-closed, synchronized runners
- > one pair of cover caps with Häfele logo
- > one set of round rails (rails, front bracket, rear panel fitting)



	Depth mm	Load bearing capacity		
		30 kg	50 kg	70 kg
 WHITE	270	-	551.57.720	-
	300	-	551.57.721	-
	350	-	551.57.722	-
	400	-	551.57.723	-
	450	551.57.704	551.57.724	-
	500	551.57.705	551.57.725	-
	550	551.57.706	551.57.726	551.57.746
	600	-	551.57.727	551.57.747
 GREY	650	-	551.57.728	551.57.748
	270	-	551.57.520	-
	300	-	551.57.521	-
	350	-	551.57.522	-
	400	-	551.57.523	-
	450	551.57.504	551.57.524	-
	500	551.57.505	551.57.525	-
	550	551.57.506	551.57.526	551.57.546
 SILVER	600	-	551.57.527	551.57.547
	650	-	551.57.528	551.57.548
	270	-	551.57.920	-
	300	-	551.57.921	-
	350	-	551.57.922	-
	400	-	551.57.923	-
	450	551.57.904	551.57.924	-
	500	551.57.905	551.57.925	-
 ANTHRACITE	550	551.57.906	551.57.926	551.57.946
	600	-	551.57.927	551.57.947
	650	-	551.57.928	551.57.948
	270	-	551.57.320	-
	300	-	551.57.321	-
	350	-	551.57.322	-
	400	-	551.57.323	-
	450	551.57.304	551.57.324	-
 BRONZE	500	551.57.305	551.57.325	-
	550	551.57.306	551.57.326	551.57.346
	600	-	551.57.327	551.57.347
	650	-	551.57.328	551.57.348

YOU ALSO NEED:








# PAN DRAWER SET.

## RECTANGULAR RAILS.

- > one pair drawer side height 92 mm with pre-mounted rear panel bracket
- > one pair full extension, soft-closed, synchronized runners
- > one pair of cover caps with Häfele logo
- > one set of rectangular rails (rails with pre-mounted rear panel fitting)



	Depth mm	Load bearing capacity		
		30 kg	50 kg	70 kg
 WHITE	270	-	551.67.720	-
	300	-	551.67.721	-
	350	-	551.67.722	-
	400	-	551.67.723	-
	450	551.67.704	551.67.724	-
	500	551.67.705	551.67.725	-
	550	551.67.706	551.67.726	551.67.746
	600	-	551.67.727	551.67.747
 SILVER	650	-	551.67.728	551.67.748
	270	-	551.67.920	-
	300	-	551.67.921	-
	350	-	551.67.922	-
	400	-	551.67.923	-
	450	551.67.904	551.67.924	-
	500	551.67.905	551.67.925	-
	550	551.67.906	551.67.926	551.67.946
 ANTHRACITE	600	-	551.67.927	551.67.947
	650	-	551.67.928	551.67.948
	270	-	551.67.320	-
	300	-	551.67.321	-
	350	-	551.67.322	-
	400	-	551.67.323	-
	450	551.67.304	551.67.324	-
	500	551.67.305	551.67.325	-
 BRONZE	550	551.67.306	551.67.326	551.67.346
	600	-	551.67.327	551.67.347
	650	-	551.67.328	551.67.348
	270	-	551.67.120	-
	300	-	551.67.121	-
	350	-	551.67.122	-
	400	-	551.67.123	-
	450	551.67.104	551.67.124	-
 BRONZE	500	551.67.105	551.67.125	-
	550	551.67.106	551.67.126	551.67.146
	600	-	551.67.127	551.67.147
	650	-	551.67.128	551.67.148

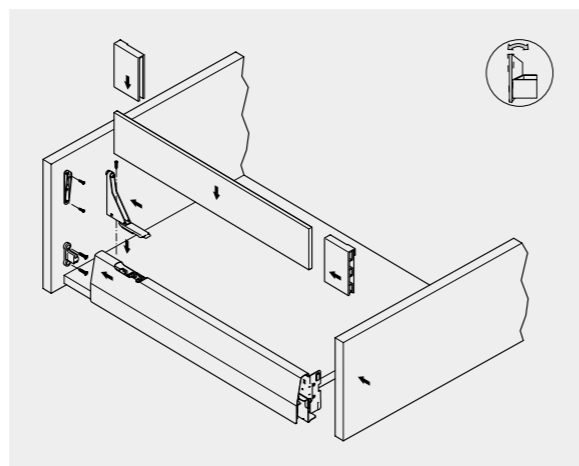
YOU ALSO NEED:



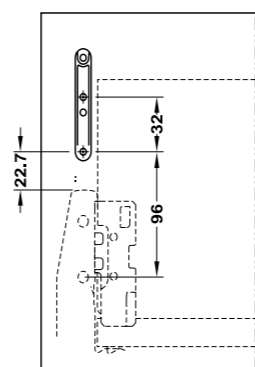
# PAN DRAWER SET.

## DECORATIVE SOLID SIDES.

- > one pair drawer side height 92 mm with pre-mounted rear panel bracket
- > one pair full extension, soft-closed, synchronized runners
- > one pair of cover caps with Häfele logo
- > one set of panel holder (two front brackets, two panel holders, two cover caps, two rear panel fittings)



	Depth mm	30 kg	92 mm 50 kg	70 kg
WHITE	270		551.67.770	
	300		551.67.771	
	350		551.67.772	
	400		551.67.773	
	450	551.67.764	551.67.774	
	500	551.67.765	551.67.775	
	550	551.67.766	551.67.776	551.67.786
	600		551.67.777	551.67.787
	650		551.67.778	551.67.788
SILVER	270		551.67.970	
	300		551.67.971	
	350		551.67.972	
	400		551.67.973	
	450	551.67.964	551.67.974	
	500	551.67.965	551.67.975	
	550	551.67.966	551.67.976	551.67.986
	600		551.67.977	551.67.987
	650		551.67.978	551.67.988
ANTHRACITE	270		551.67.370	
	300		551.67.371	
	350		551.67.372	
	400		551.67.373	
	450	551.67.364	551.67.374	
	500	551.67.365	551.67.375	
	550	551.67.366	551.67.376	551.67.386
	600		551.67.377	551.67.387
	650		551.67.378	551.67.388
BRONZE	270		551.67.170	
	300		551.67.171	
	350		551.67.172	
	400		551.67.173	
	450	551.67.164	551.67.174	
	500	551.67.165	551.67.175	
	550	551.67.166	551.67.176	551.67.186
	600		551.67.177	551.67.187
	650		551.67.178	551.67.188



Drilling pattern/screw-on position for front bracket



## GLASS SIDE PANEL

- > Version: Edges sanded and bevelled
- > Glass thickness: 8 mm



	Depth mm	Item codes	dimensions
Clear	270	553.60.440	82x225x8
	300	553.60.441	82x255x8
	350	553.60.442	82x305x8
	400	553.60.443	82x355x8
	450	553.60.444	82x405x8
	500	553.60.445	82x455x8
	550	553.60.446	82x505x8
	600	553.60.447	82x555x8
Frosted	270	553.60.140	82x225x8
	300	553.60.141	82x255x8
	350	553.60.142	82x305x8
	400	553.60.143	82x355x8
	450	553.60.144	82x405x8
	500	553.60.145	82x455x8
	550	553.60.146	82x505x8
	600	553.60.147	82x555x8
	650	553.60.148	82x605x8
	700	553.60.149	82x655x8

Installation dimension  
Please note with individually manufactured panels:  
> Material thickness: 8 mm  
> Height: 82 mm  
> panel length = nominal length – 45 mm

### YOU ALSO NEED:



### OPTIONAL:








# PAN DRAWER SET.

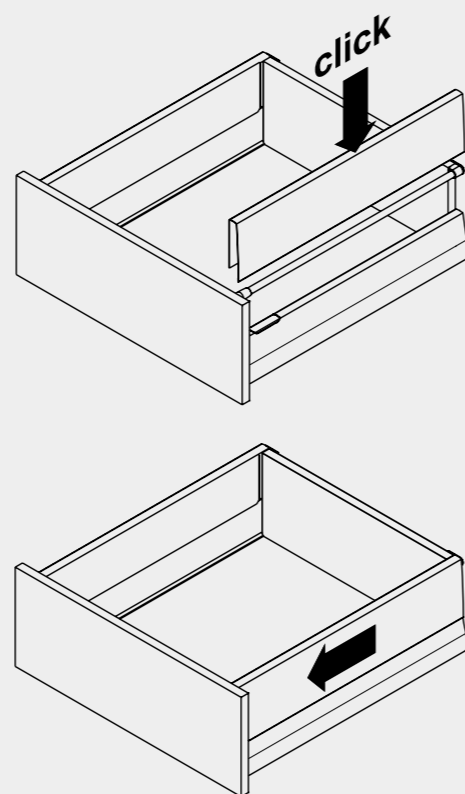
## METAL SOLID SIDES.

- > one pair drawer side height 92 mm with pre-mounted rear panel bracket
- > one pair full extension, soft-closed, synchronized runners
- > one pair of cover caps with Häfele logo
- > one set of round rails (rails, front bracket, rear panel fitting)
- > one pair of metal height extension panel



	Depth mm	Load bearing capacity		
		30 kg	50 kg	70 kg
 WHITE	270	-	551.55.720	-
	300	-	551.55.721	-
	350	-	551.55.722	-
	400	-	551.55.723	-
	450	551.55.704	551.55.724	-
	500	551.55.705	551.55.725	-
	550	551.55.706	551.55.726	551.55.746
	600	-	551.55.727	551.55.747
 GREY	270	-	551.55.520	-
	300	-	551.55.521	-
	350	-	551.55.522	-
	400	-	551.55.523	-
	450	551.55.504	551.55.524	-
	500	551.55.505	551.55.525	-
	550	551.55.506	551.55.526	551.55.546
	600	-	551.55.527	551.55.547
 SILVER	270	-	551.55.920	-
	300	-	551.55.921	-
	350	-	551.55.922	-
	400	-	551.55.923	-
	450	551.55.904	551.55.924	-
	500	551.55.905	551.55.925	-
	550	551.55.906	551.55.926	551.55.946
	600	-	551.55.927	551.55.947
 ANTHRACITE	270	-	551.55.320	-
	300	-	551.55.321	-
	350	-	551.55.322	-
	400	-	551.55.323	-
	450	551.55.304	551.55.324	-
	500	551.55.305	551.55.325	-
	550	551.55.306	551.55.326	551.55.346
	600	-	551.55.327	551.55.347
 BRONZE	270	-	551.55.120	-
	300	-	551.55.121	-
	350	-	551.55.122	-
	400	-	551.55.123	-
	450	551.55.104	551.55.124	-
	500	551.55.105	551.55.125	-
	550	551.55.106	551.55.126	551.55.146
	600	-	551.55.127	551.55.147
650	-	551.55.128	551.55.148	




Mount the side rails precisely according to the installation drawing when using individual wooden panels.



# INTERNAL PAN DRAWER SET.

## SOLID SIDES.

- > one pair drawer side height 92 mm with pre-mounted rear panel bracket
- > one pair full extension, soft-closed, synchronized runners
- > one pair of cover caps with Häfele logo
- > one set of round rails (rails, front bracket, rear panel fitting)
- > one pair of metal solid sides
- > one pair of panel holder for internal drawer box with railing
- > one piece of internal front panel
- > one piece of cross railing

	kg	Depth mm	Cabin Width			
			600 mm	900 mm	1200 mm	
 WHITE	30 kg	450	551.68.704	551.68.714	551.68.724	
		500	551.68.705	551.68.715	551.68.725	
		550	551.68.706	551.68.716	551.68.726	
		50 kg	270	551.68.730	551.68.740	551.68.750
			300	551.68.731	551.68.741	551.68.751
	350		551.68.732	551.68.742	551.68.752	
	400		551.68.733	551.68.743	551.68.753	
	450		551.68.734	551.68.744	551.68.754	
	70 kg	500	551.68.735	551.68.745	551.68.755	
		550	551.68.736	551.68.746	551.68.756	
		600	551.68.737	551.68.747	551.68.757	
		650	551.68.738	551.68.748	551.68.758	
		650	551.68.766	551.68.776	551.68.786	
	 GREY	30 kg	450	551.68.504	551.68.514	551.68.524
			500	551.68.505	551.68.515	551.68.525
550			551.68.506	551.68.516	551.68.526	
50 kg			270	551.68.530	551.68.540	551.68.550
			300	551.68.531	551.68.541	551.68.551
		350	551.68.532	551.68.542	551.68.552	
		400	551.68.533	551.68.543	551.68.553	
		450	551.68.534	551.68.544	551.68.554	
70 kg		500	551.68.535	551.68.545	551.68.555	
		550	551.68.536	551.68.546	551.68.556	
		600	551.68.537	551.68.547	551.68.557	
		650	551.68.538	551.68.548	551.68.558	
		650	551.68.566	551.68.576	551.68.586	
 SILVER		30 kg	450	551.68.904	551.68.914	551.68.924
			500	551.68.905	551.68.915	551.68.925
	550		551.68.906	551.68.916	551.68.926	
	50 kg		270	551.68.930	551.68.940	551.68.950
			300	551.68.931	551.68.941	551.68.951
		350	551.68.932	551.68.942	551.68.952	
		400	551.68.933	551.68.943	551.68.953	
		450	551.68.934	551.68.944	551.68.954	
	70 kg	500	551.68.935	551.68.945	551.68.955	
		550	551.68.936	551.68.946	551.68.956	
		600	551.68.937	551.68.947	551.68.957	
		650	551.68.938	551.68.948	551.68.958	
		650	551.68.966	551.68.976	551.68.986	
	600	551.68.967	551.68.977	551.68.987		
	650	551.68.968	551.68.987	551.68.988		

### YOU ALSO NEED:



### OPTIONAL:



# INTERNAL PAN DRAWER SET.

SOLID SIDES.



ANTHRACITE

	kg	Depth mm	Cabin Width		
			600 mm	900 mm	1200 mm
30 kg		450	551.68.304	551.68.314	551.68.324
		500	551.68.305	551.68.315	551.68.325
		550	551.68.306	551.68.316	551.68.326
50 kg		270	551.68.330	551.68.340	551.68.350
		300	551.68.331	551.68.341	551.68.351
		350	551.68.332	551.68.342	551.68.352
		400	551.68.333	551.68.343	551.68.353
		450	551.68.334	551.68.344	551.68.354
		500	551.68.335	551.68.345	551.68.355
		550	551.68.336	551.68.346	551.68.356
70 kg		600	551.68.337	551.68.347	551.68.357
		650	551.68.338	551.68.348	551.68.358
		550	551.68.366	551.68.376	551.68.386
		600	551.68.367	551.68.377	551.68.387
		650	551.68.368	551.68.387	551.68.388

# INTERNAL PAN DRAWER SET.

ROUND RAILS.

- > one pair drawer side height 92 mm with pre-mounted rear panel bracket
- > one pair full extension, soft-closed, synchronized runners
- > one pair of cover caps with Häfele logo
- > one set of round rails (rails, front bracket, rear panel fitting)
- > one pair of panel holder for internal drawer box with railing
- > one piece of internal front panel
- > one piece of cross railing



WHITE

	kg	Depth mm	Cabin Width		
			600 mm	900 mm	1200 mm
30 kg		450	551.58.704	551.58.714	551.58.724
		500	551.58.705	551.58.715	551.58.725
		550	551.58.706	551.58.716	551.58.726
50 kg		270	551.58.730	551.58.740	551.58.750
		300	551.58.731	551.58.741	551.58.751
		350	551.58.732	551.58.742	551.58.752
		400	551.58.733	551.58.743	551.58.753
		450	551.58.734	551.58.744	551.58.754
		500	551.58.735	551.58.745	551.58.755
		550	551.58.736	551.58.746	551.58.756
		600	551.58.737	551.58.747	551.58.757
		650	551.58.738	551.58.748	551.58.758
		70 kg		550	551.58.766
600	551.58.767			551.58.777	551.58.787

YOU ALSO NEED:



# INTERNAL PAN DRAWER SET.

ROUND RAILS.



GREY

	kg	Depth mm	Cabin Width		
			600 mm	900 mm	1200 mm
30 kg		450	551.58.504	551.58.514	551.58.524
		500	551.58.505	551.58.515	551.58.525
		550	551.58.506	551.58.516	551.58.526
50 kg		270	551.58.530	551.58.540	551.58.550
		300	551.58.531	551.58.541	551.58.551
		350	551.58.532	551.58.542	551.58.552
		400	551.58.533	551.58.543	551.58.553
		450	551.58.534	551.58.544	551.58.554
		500	551.58.535	551.58.535	551.58.555
		550	551.58.536	551.58.536	551.58.556
		600	551.58.537	551.58.537	551.58.557
		650	551.58.538	551.58.538	551.58.558
		70 kg		550	551.58.566
600	551.58.567			551.58.577	551.58.587
650	551.58.568			551.58.578	551.58.588



SILVER

30 kg		450	551.58.904	551.58.914	551.58.924
		500	551.58.905	551.58.915	551.58.925
		550	551.58.906	551.58.916	551.58.926
50 kg		270	551.58.930	551.58.940	551.58.950
		300	551.58.931	551.58.941	551.58.951
		350	551.58.932	551.58.942	551.58.952
		400	551.58.933	551.58.943	551.58.953
		450	551.58.934	551.58.944	551.58.954
		500	551.58.935	551.58.945	551.58.955
		550	551.58.936	551.58.946	551.58.956
		600	551.58.937	551.58.947	551.58.957
		650	551.58.938	551.58.948	551.58.958
		70 kg		550	551.58.966
600	551.58.967			551.58.977	551.58.987
650	551.58.968			551.58.978	551.58.988



ANTHRACITE

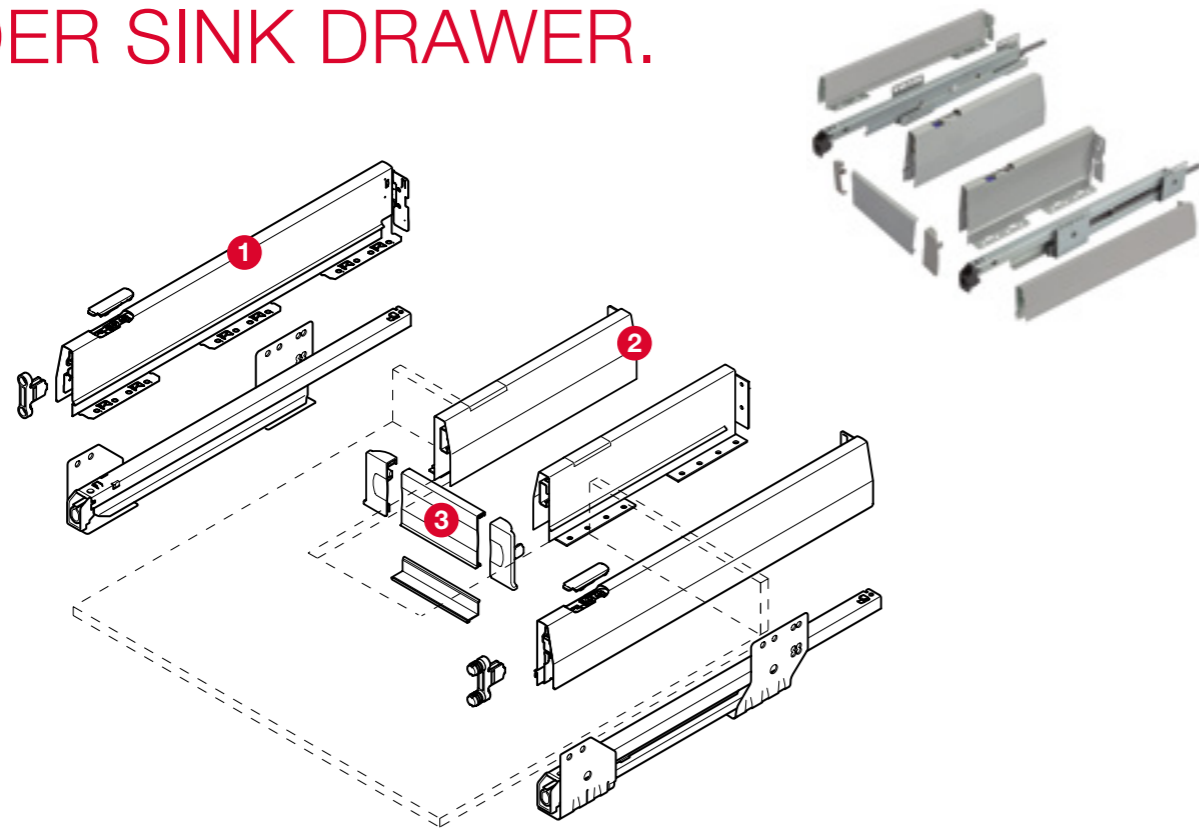
30 kg		450	551.58.304	551.58.314	551.58.324
		500	551.58.305	551.58.315	551.58.325
		550	551.58.306	551.58.316	551.58.326
50 kg		270	551.58.330	551.58.340	551.58.350
		300	551.58.331	551.58.341	551.58.351
		350	551.58.332	551.58.342	551.58.352
		400	551.58.333	551.58.343	551.58.353
		450	551.58.334	551.58.344	551.58.354
		500	551.58.335	551.58.345	551.58.355
		550	551.58.336	551.58.346	551.58.356
		600	551.58.337	551.58.347	551.58.357
		650	551.58.338	551.58.348	551.58.358
		70 kg		550	551.58.366
600	551.58.367			551.58.377	551.58.387
650	551.58.368			551.58.378	551.58.388

OPTIONAL:





# UNDER SINK DRAWER.



## 1 STANDARD SET 92 MM

- > one pair drawer side height 92mm with pre-mounted rear panel bracket
- > one pair full extension, soft-closed, synchronized runners
- > one pair of cover caps with Häfele logo

color	NL mm	loading		
		30 kg	50 kg	70 kg
WHITE	400	-	551.54.723	
	450	551.54.704	551.54.724	
	500	551.54.705	551.54.725	
	550	551.54.706	551.54.726	551.54.746
GREY	400	-	551.54.523	
	450	551.54.504	551.54.524	
	500	551.54.505	551.54.525	
	550	551.54.506	551.54.526	551.54.546
SILVER METALLIC	400	-	551.54.923	
	450	551.54.904	551.54.924	
	500	551.54.905	551.54.925	
	550	551.54.906	551.54.926	551.54.546
ANTHRACITE METALLIC MATT	400	-	551.54.323	
	450	551.54.304	551.54.324	
	500	551.54.305	551.54.325	
	550	551.54.306	551.54.326	551.54.946
BRONZE BROWN METALLIC	400	-	551.54.123	
	450	551.54.104	551.54.124	
	500	551.54.105	551.54.125	
	550	551.54.106	551.54.126	551.54.146

### YOU ALSO NEED:



## 2 DRAWER SIDE



- > one pair drawer side height 92mm with pre-mounted rear panel bracket
- > one pair of cover caps with Häfele logo

color	NL mm	Cat No.
WHITE	270	551.52.700
	300	551.52.701
	350	551.52.702
	400	551.52.703
GREY	450	551.52.704
	270	551.52.500
	300	551.52.501
	350	551.52.502
SILVER METALLIC	400	551.52.503
	450	551.52.504
	270	551.52.900
	300	551.52.901
ANTHRACITE METALLIC MATT	350	551.52.902
	400	551.52.903
	450	551.52.904
	BRONZE BROWN METALLIC	270
300		551.52.301
350		551.52.302
400		551.52.303
	450	551.52.304
	270	551.52.100
	300	551.52.101
	350	551.52.102
	400	551.52.103
	450	551.52.104

## 3 PANEL SET



- > one piece internal front
- > one piece of cover profile
- > one pair of panel holder for internal front undersink drawers

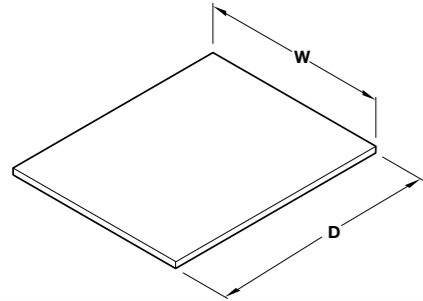
	Length mm	Cat No.
WHITE	597	551.61.726
	1197	551.61.728
GREY	597	551.61.526
	1197	551.61.528
SILVER METALLIC	597	551.61.926
	1197	551.61.928
ANTHRACITE METALLIC MATT	597	551.61.326
	1197	551.51.328
BRONZE BROWN METALLIC	597	551.61.126
	1197	551.61.128

# INSTALLATION & ADJUSTMENTS.

## INSTALLATION ADVICE AND ADJUSTMENTS

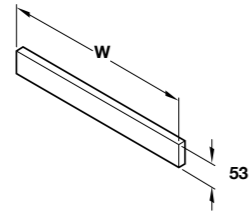
### Base panel for drawer

Calculation of base dimensions:  
 $W = \text{internal cabinet width} - 62 \text{ mm}$   
 $D = \text{nominal length} - 3 \text{ mm}$



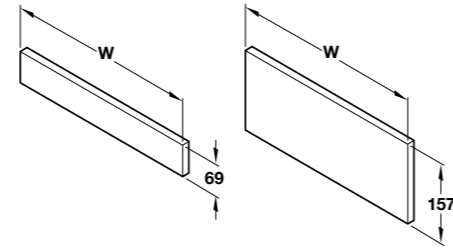
### Rear panel for drawer side height 60 mm

Calculation of back dimensions:  
 $W = \text{internal cabinet width} - 62 \text{ mm}$



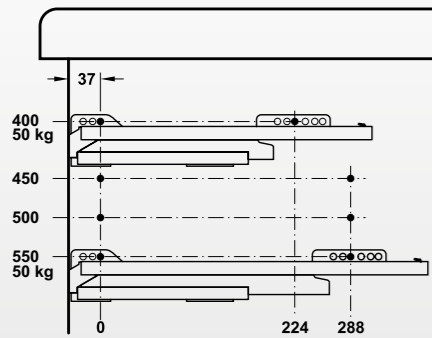
### Rear panel for pan drawer side height 92 mm

Calculation of back dimensions:  
 $W = \text{internal cabinet width} - 62 \text{ mm}$

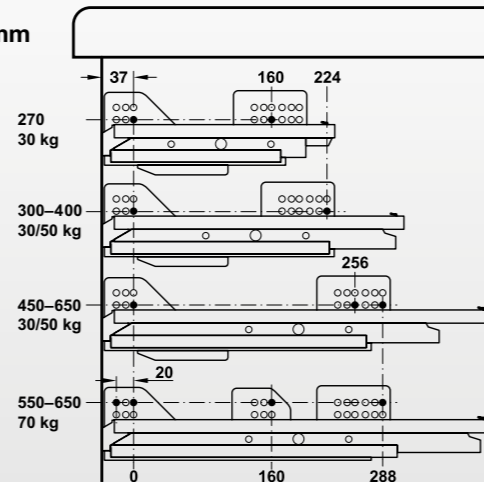


## FIXING POSITIONS FOR FULL EXTENSION DRAWER RUNNERS

### 60 mm



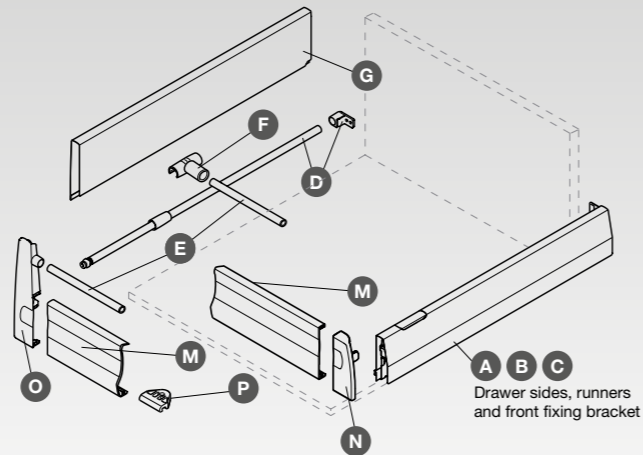
### 92 mm



## EXAMPLE OF DRAWER COMPONENTS

**Example:** Moovit MX internal drawer with gallery railing and front rail or with height extension side panels

- A** Metal drawer sides
- B** Drawer runners
- C** Front fixing brackets
- D** Side rail set
- E** Cross rail
- F** Cross rail holder
- G** Height extension side panel
- M** Front panel for internal drawer
- N** Front panel holder for standard drawers
- O** Front panel holder for internal pan drawers
- P** Moovit MX stabilising plate



## THREE EASY STEPS:

### 1 FIX THE RUNNERS TO THE CABINET



### 2 FIT DRAWER FRONTS TO COMPLETED DRAWERS



### 3 INSERT AND ADJUST TO FIT CAVITY



- > Quick to assemble and install
- > Fully synchronized
- > Runners are full extension with Smuso integrated soft and self-closing mechanism on both sides
- > Runner gives smooth and quiet opening with load carrying capacity of 30 kg, 50 kg or 70 kg per pair
- > Vertical inner sides for optimum capacity
- > Front panels available for internal drawer options
- > Drawer fronts can be adjusted from above by means of the front fixing bracket, neatly concealed by a trim cap
- > Drawer fronts can be removed without tools





Although the main part of our range is 92 mm high drawer systems with their add-ons, we could not forget the need for a smaller 60 mm high drawer system. Ideal for use in bedrooms, offices/hospitals or laboratories. Could be also combined with an optional locking system.

## STANDARD SET 60 MM.

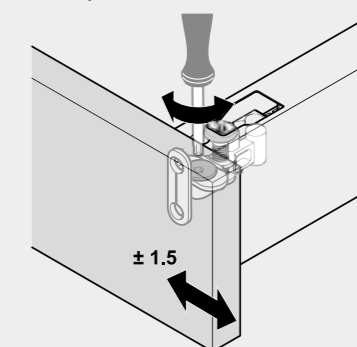
- > one pair drawer side height 60mm with pre-mounted rear panel bracket
- > one pair full extension, soft-closed, synchronized runners. Loading 50kg
- > one pair of cover caps with Häfele logo
- > one pair of front fixing



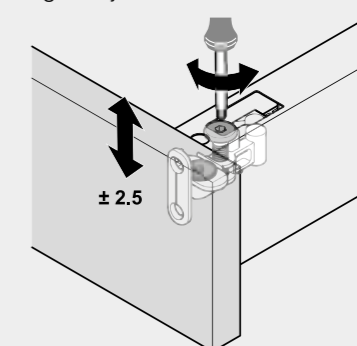
	loading capacity 50 kg	
	Length mm	Cat No.
 WHITE	400	553.78.403
	450	553.78.404
	500	553.53.405
	550	553.78.406
 GREY	400	551.53.503
	450	551.53.504
	500	551.53.505
	550	551.53.506
 SILVER	400	551.53.903
	450	551.53.904
	500	551.53.905
	550	551.53.906
 ANTHRACITE	400	551.53.303
	450	551.53.304
	500	551.53.305
	550	551.53.306
 BRONZE	400	551.53.103
	450	551.53.104
	500	551.53.105
	550	551.53.106

### ADJUSTMENT FACILITY

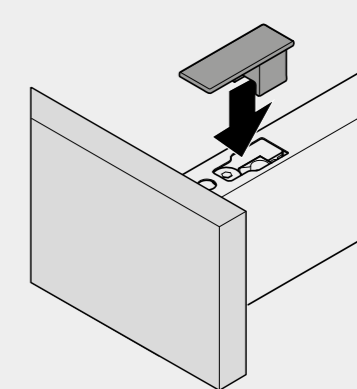
Side adjustment



Height adjustment



Cover cap and front fixing



YOU ALSO NEED:



**INSERTS**  
Page 38–45

**OPTIONAL ACCESSORIES**  
Page 49–54

# DRAWER INSERTS.

## PLASTIC INSERTS



Cutlery insert  
 > NL500mm  
 > for side panel thickness 16mm/19mm

	white	green	graphit
<b>cabinet width:</b>			
500 mm	553.65.725	553.65.025	553.65.825
600 mm	553.65.727	553.65.027	553.65.827
800 mm	553.65.728	553.65.028	553.65.828
900 mm	553.65.729	553.65.029	553.65.829
1000 mm	553.65.730	553.65.030	553.65.830
<b>knife block</b>	3 knives	4 knives	
	556.90.581	556.90.582	



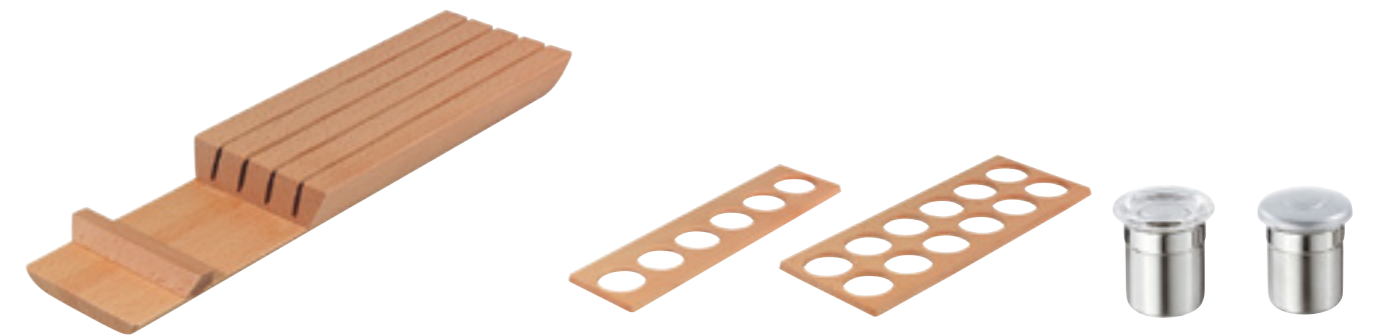
Cutlery insert  
 > NL500mm  
 > for side panel thickness 16mm/19mm

cabinet width	side panel thickness	white	grey	bronze	side panel thickness	white	grey	bronze
450 mm	16 mm	553.63.744	553.63.244	553.63.844	19 mm	553.63.764	553.63.264	553.63.864
500 mm		553.63.745	553.63.245	553.63.845		553.63.765	553.63.265	553.63.865
550 mm		553.63.746	553.63.246	553.63.846		553.63.766	553.63.266	553.63.866
600 mm		553.63.747	553.63.247	553.63.847		553.63.767	553.63.267	553.63.867
800 mm		553.63.748	553.63.248	553.63.848		553.63.768	553.63.248	553.63.868
900 mm		553.63.749	553.63.249	553.63.849		553.63.769	553.63.269	553.63.869



Food storage container insert  
 > height: 130mm  
 > with rubber dimples to prevent slipping  
 > variable width and depth

Insert square	white	grey	black
middle section	white translucent	white translucent	graphite translucent
set of 3	556.81.773	556.81.573	556.81.333
set of 4	556.81.774	556.81.574	556.81.334



knife block	beech, lacqured	414x113		556.53.310
insert for spices	beech, lacqured	417x111	for 6 glasses	556.53.311
		417x161	for 12 glasses	556.53.312
box for spices	glas			543.95.100
	stainless steel/acryl			531.05.016
	stainless steel/plastic			531.05.006

# DRAWER INSERTS.

## WOOD INSERTS



- > NL500 mm
- > for side panel thickness: 19 mm
- > material: MDF board with linoleum coating, divider: Aluminium

Cutlery insert	Cat. No.
for cabinet width 600 mm (19 mm sides)	553.67.987
for cabinet width 900 mm (19 mm sides)	553.67.989



- > NL500 mm
- > width adjustable
- > material: beech, stainless steel

Cutlery insert	Cat. No.
for cabinet width 300–400 mm	553.66.320
for cabinet width 450–700 mm	553.66.321



- > NL500 mm
- > material: MDF board, beech veneered

Pan drawer organization boards	Cat. No.
600 mm	553.67.307
800 mm	553.67.308
900 mm	553.67.309
1000 mm	553.67.310
dividing plank L=126 mm	553.67.321
dividing plank L=190 mm	553.67.322
dividing plank L=480 mm	553.67.323
dividing stick	553.67.390

## MEDICAL INSERTS

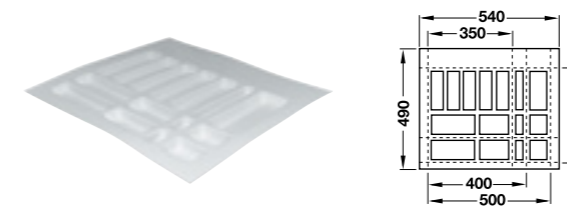


- > NL500 mm
- > finish: white, high gloss coated
- > with rim for cutting to size

universal compartments, shallow, material thickness 2,5 mm

height: 28 mm

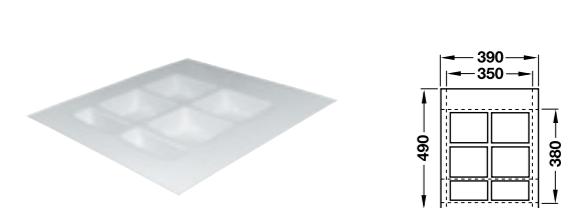
Cat. No.: 556.66.745



with 6 compartments, deep, material thickness 2,5 mm

height: 57 mm

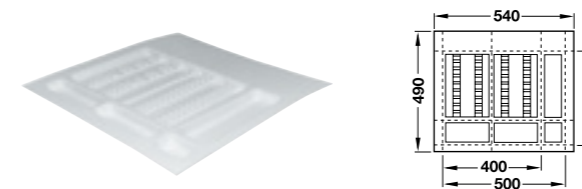
Cat. No.: 556.66.736



instruments compartments, shallow, material thickness 2,5 mm

height: 28 mm

Cat. No.: 556.66.763



small and large compartments, deep, material thickness 2,5 mm

height: 57 mm

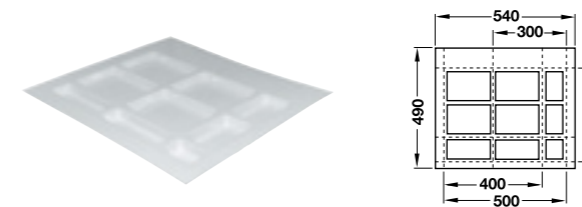
Cat. No.: 556.66.718



shallow compartments, material thickness 2,5 mm

height: 28 mm

Cat. No.: 556.66.754



deep compartments, material thickness 2,5 mm

height: 57 mm

Cat. No.: 556.66.727

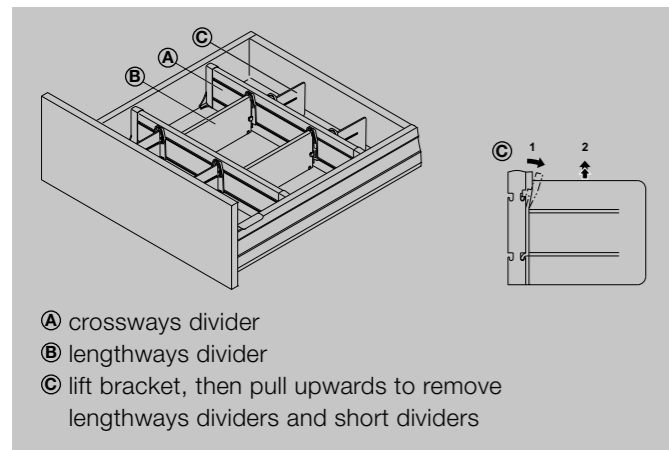


# DRAWER INSERTS.

## METAL INSERTS

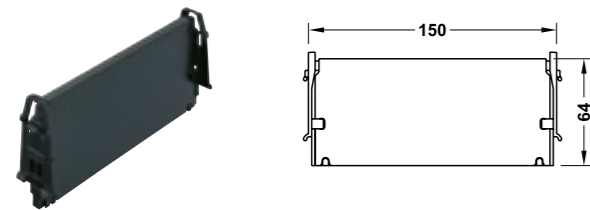


- > areas of application: for subdividing drawers with straight inner drawer sides, such as Moovit or wooden drawers
- > colour: white



cabinet width mm	nominal length	
	450–500 mm	650 mm
600 mm	2 crossways dividers 3 lengthways dividers 6 short dividers	3 crossways dividers 6 lengthways dividers 6 short dividers
900 mm	2 crossways dividers 4 lengthways dividers 8 short dividers	3 crossways dividers 8 lengthways dividers 8 short dividers
1200 mm	2 crossways dividers 4 lengthways dividers 8 short dividers	3 crossways dividers 8 lengthways dividers 8 short dividers

## LENGTHWAYS DIVIDER



- > material: steel
- > installation: for hooking into crossways divider
- > Note: lengthways dividers must be fixed between 2 crossways dividers

dim. (LxH) mm	Colour	Supplied with	Cat. No.
150 x 64 mm	White	2 lengthways dividers	553.73.641
		3 lengthways dividers	553.73.643
		4 lengthways dividers	553.73.647
	Anthracite metallic	2 lengthways dividers	553.73.441
		3 lengthways dividers	553.73.443
		4 lengthways dividers	553.73.447
	Bronze	2 lengthways dividers	553.73.141
		3 lengthways dividers	553.73.143
		4 lengthways dividers	553.73.147

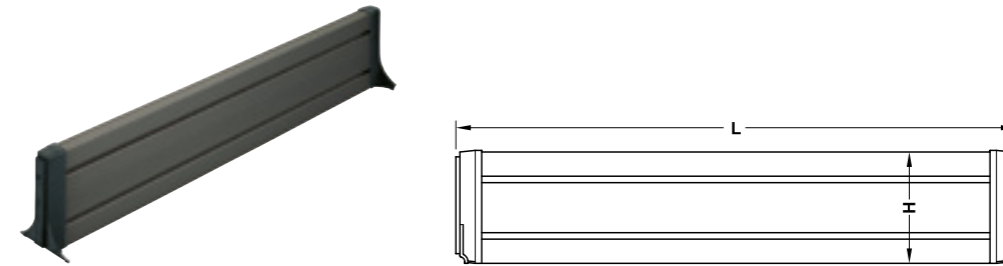
## SHORT DIVIDER



- > material: plastic
- > installation: for hooking into crossways divider

dim. (LxH) mm	Colour	Supplied with	Cat. No.
71,5 x 62 mm	White	4 short dividers	553.73.761
		6 short dividers	553.73.763
		8 short dividers	553.73.767
	Anthracite metallic	4 short dividers	553.73.361
		6 short dividers	553.73.363
		8 short dividers	553.73.367
	Bronze	4 short dividers	553.73.161
		6 short dividers	553.73.163
		8 short dividers	553.73.167

## CROSSWAYS DIVIDER



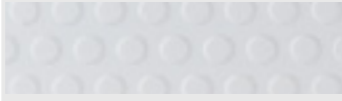

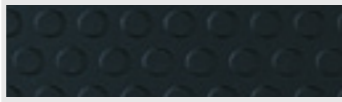

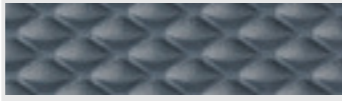

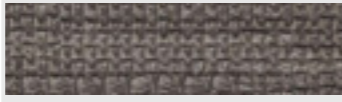

side panel thickness	Colour	cabinet width	dim. (LxH) mm	supplied with 2 crossways dividers	supplied with 3 crossways dividers
16 mm	White	600 mm	510 x 69 mm	553.73.605	553.73.625
		900 mm	810 x 69 mm	553.73.608	553.73.628
		1200 mm	1110 x 69 mm	553.73.609	553.73.629
	Anthracite metallic	600 mm	510 x 69 mm	553.73.405	553.73.425
		900 mm	810 x 69 mm	553.73.409	553.73.428
		1200 mm	1110 x 69 mm	553.73.409	553.73.429
	Bronze	600 mm	510 x 69 mm	553.73.105	553.73.125
		900 mm	810 x 69 mm	553.73.108	553.73.128
		1200 mm	1110 x 69 mm	553.73.109	553.73.129
19 mm	White	600 mm	504 x 69 mm	553.73.615	553.73.635
		900 mm	804 x 69 mm	553.73.618	553.73.638
		1200 mm	1004 x 69 mm	553.73.619	553.73.639
	Anthracite metallic	600 mm	504 x 69 mm	553.73.415	553.73.435
		900 mm	804 x 69 mm	553.73.418	553.73.438
		1200 mm	1004 x 69 mm	553.73.419	553.73.439
	Bronze	600 mm	504 x 69 mm	553.73.115	553.73.135
		900 mm	804 x 69 mm	553.73.118	553.73.138
		1200 mm	1004 x 69 mm	553.73.119	553.73.139

# DRAWER INSERTS.

## INSERT MATS (FOR CUTTING TO SIZE)



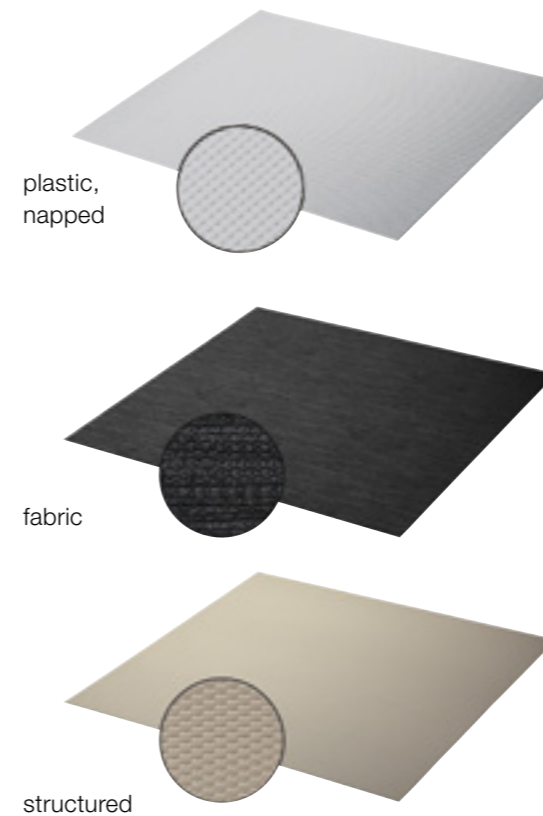
- > material: plastic
- > length: 10m
- > width: 500mm
- > material thickness: 1,3 mm
- > one roll (length 10m) is sufficient for approx. 19 insert mats (515x500mm)

plastic, napped		Cat. No.
	white	547.90.737
	silver grey	547.90.537
	black	547.90.637
plastic, prisma		Cat. No.
	silver grey	547.90.957
	anthracite	547.90.357
fabric		Cat. No.
	black	547.92.329
	umbra grey	547.92.429
	silver grey	547.92.528

## INSERT MATS (PRE-CUT TO SIZE FOR)



- > area of application: for 19mm side panel)
- > material: plastic (PS)
- > finish/colour: napped, silver grey
- > for nominal length: 500mm
- > material thickness: 1,3 mm



plastic, napped	for cabinet width mm	dimensions mm	Cat. No.
	600	500 x 481	553.68.527
	800	700 x 481	553.68.528
	900	800 x 481	553.68.529
fabric	for cabinet width mm	dimensions mm	Cat. No.
	600	500 x 481	547.92.345
	800	700 x 481	547.92.347
	900	800 x 481	547.92.348
	600	500 x 481	547.92.545
	800	700 x 481	547.92.547
	900	800 x 481	547.92.548
	600	500 x 481	547.92.445
	800	700 x 481	547.92.447
	900	800 x 481	547.92.448
structured	for cabinet width mm	dimensions mm	Cat. No.
	600	500 x 481	547.92.255
	800	700 x 481	547.92.257
	900	800 x 481	547.92.258

# WASTE BINS.

## INSTALLATION BEHIND FRONT PANELS WITH FRONT FIXING



- ✓ **FRONT FIXING**  
Page 49
- ✓ **OVEREXTENSION SET 92 MM**  
Page 51
- ✓ **STANDARD SET 92 MM**  
Page 21

order reference:  
Please order drawer side runner system separately

	panel side	cabinet width mm	Cat. No.
NL500 mm, capacity: 2x8l and 2x17l	16 mm	600	502.91.528
	19 mm	600	502.91.538

Replacements see official catalog

## INSTALLATION BEHIND FRONT PANELS WITH BASE FIXING



- ✓ **PAN DRAWER SET ROUND RAILS**  
Page 24
- ✓ **PAN DRAWER SET RECTANGULAR RAILS**  
Page 25
- ✓ **FRONT FIXING**  
Page 49

Installation dimensions:  
please check our catalog for more details.

order reference:  
Please order drawer side runner system separately

	panel side	cabinet width mm	Cat. No.
NL500 mm, capacity: 2x8l and 2x17l	16 mm	600	502.91.717
	19 mm	600	502.91.817

Replacements see official catalog



- ✓ **PAN DRAWER SET ROUND RAILS**  
Page 24
- ✓ **FRONT FIXING**  
Page 49
- ✓ **SPACER 3 MM**  
Page 52

order reference:  
Please order drawer side runner system separately

	panel side	cabinet width mm	Cat. No.
NL400 mm capacity cabinet width 500 mm: 1x14l and 2x10l capacity cabinet width 600 mm: 1x20l and 2x10l	16 mm / 19 mm (with spacer)	500	502.03.562
		600	502.03.563

Replacements see official catalog



- ✓ **PAN DRAWER SET ROUND RAILS**  
Page 24
- ✓ **FRONT FIXING**  
Page 49
- ✓ **SPACER 3 MM**  
Page 52

order reference:  
Please order drawer side runner system separately

	panel side	cabinet width mm	Cat. No.
NL500 mm capacity cabinet width 600 mm: 1x18l, 2x8l and 3x2,5l capacity cabinet width 900 mm: 1x18l, 1x12l, 2x8l, 3x2,5l and 1x12l	16 mm / 19 mm (with spacer)	600	502.03.593
		900	502.03.596
NL500 mm capacity cabinet width 450 mm: 1x18l and 2x8l capacity cabinet width 600 mm: 1x18l and 2x8l and 2x storage compartment capacity cabinet width 900 mm: 2x18l and 2x8l	16 mm / 19 mm (with spacer)	450	502.03.551
		600	502.03.553
		900	502.03.556

Replacements see official catalog



# LOCK.

WITH MATRIX RUNNERS \*



Security is extremely important, particularly in the office area. Moovit Lock guarantees that important documents can be stored discreetly and safely locked away. It offers solutions for private as well as commercial areas.

# ACCESSORIES.

## ESSENTIALS

### INSERTION TOOL

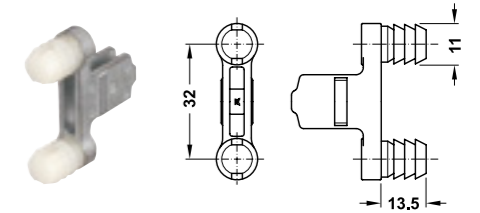
For press fitting front fixing bracket



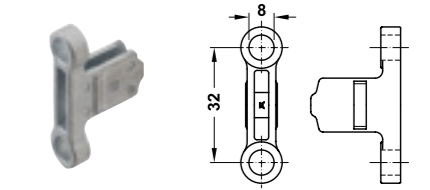
	Version	Cat No.
Aluminium	With wooden handle	553.59.990

### MOOVIT FIX FRONT FIXING BRACKET

For press fitting



For screw fixing



> Material: Zinc alloy

	Cat No.
For press fitting	553.59.995
For screw fixing	553.59.991

order reference:  
please order fixing screw Cat.No. 013.20.949 for screw-fixed version separately.

## OPTIONAL

### REPLACEMENT COVER CAPS



- > 1 Right cover cap
- > 1 Left cover cap

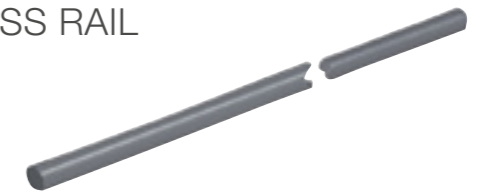
Finish	Neutral	With Häfele logo relief
White	551.61.781	551.61.780
Grey	551.61.581	551.61.580
Silver	551.61.981	551.61.980
Anthracite	551.61.381	551.61.380
Bronze	551.61.181	551.61.180

Packaging: 1 pair

#### Order reference

Cover caps with individual print are available from an order quantity of 2,000 pieces and above.  
Cover caps with relief are available from an order quantity of 5,000 pieces and above.

### CROSS RAIL



- > Material: Steel
- > Version: Can be cut to size
- > Length: 1,102 mm
- > Diameter: 11 mm
- Cut = internal cabinet width - 80 mm

	Cat No.
White	553.59.634
Grey/Silver	553.59.934
Anthracite	553.59.434

### CROSS RAIL HOLDER



> Material: Plastic

	Cat No.
White	553.59.639
Grey/Silver	553.59.939
Anthracite	553.59.439

# ACCESSORIES.

## FRONT PANEL FOR INTERNAL DRAWER



- > 95 mm height, cabinet sides 16 mm
- > For use with front panel holders (order separately)
- > Powder coated aluminium
- > Order qty: one pc

For cabinet width: Length:	600 mm 488 mm	900 mm 788 mm	1200 mm 1088 mm
White	553.61.611	553.61.615	553.61.619
Grey	553.61.911	553.61.915	553.61.919
Silver	551.61.911	551.61.916	551.61.919
Anthracite	551.61.311	551.61.315	551.61.319
Bronze	551.61.111	551.61.115	551.61.119

## ROUND RAIL SET



- > Set consists of two rails, two front brackets for press fitting, two front brackets for screw fixing and two rear panel holders
- > Tilting angle of front panel is adjustable by rotating the rail  $\pm 2$  mm
- > Powder coated steel railing, plastic brackets and holder
- > Order qty: one set

For drawer length:	White	Grey/Sliver	Anthracite
270 mm	553.59.600	553.59.900	553.59.400
300 mm	553.59.601	553.59.901	553.59.401
350 mm	553.59.602	553.59.902	553.59.402
400 mm	553.59.603	553.59.903	553.59.403
450 mm	553.59.604	553.59.904	553.59.404
500 mm	553.59.605	553.59.905	553.59.405
550 mm	553.59.606	553.59.906	553.59.406
600 mm	553.59.607	553.59.907	553.59.407
650 mm	553.59.608	553.59.908	553.59.408

## HEIGHT EXTENSION WITH METAL SOLID SIDES



- > For 92 mm drawer sides, for increasing inner drawer height by 90 mm
- > For clip fixing to round railing and drawer sides, snug fit means no rattle or movement of side panel when drawer in use
- > Powder coated steel
- > Round rail set, must be ordered separately
- > Order qty: one pair

For drawer length:	White 553.60. ...	Grey 553.60. ...	Silver 551.60. ...	Anthracite 551.60. ...	Bronze 551.60. ...
270 mm	... .600	... .900	... .900	... .300	... .100
300 mm	... .601	... .901	... .901	... .301	... .101
350 mm	... .602	... .902	... .902	... .302	... .102
400 mm	... .603	... .903	... .903	... .303	... .103
450 mm	... .604	... .904	... .904	... .304	... .104
500 mm	... .605	... .905	... .905	... .305	... .105
550 mm	... .606	... .906	... .906	... .306	... .106
600 mm	... .607	... .907	... .907	... .307	... .107
650 mm	... .608	... .908	... .908	... .308	... .108

## RECTANGULAR RAIL SET



- > Set consists of: two rails, two front brackets for press fitting, two front brackets for screw fixing and two rear panel holders
- > Powder coated steel railing, plastic brackets and holder
- > Order qty: one set

For drawer length:	White	Silver	Anthracite	Bronze
270 mm	551.60.720	551.60.920	551.60.320	551.60.120
300 mm	551.60.721	551.60.921	551.60.321	551.60.121
350 mm	551.60.722	551.60.922	551.60.322	551.60.122
400 mm	551.60.723	551.60.923	551.60.323	551.60.123
450 mm	551.60.724	551.60.924	551.60.324	551.60.124
500 mm	551.60.725	551.60.925	551.60.325	551.60.125
550 mm	551.60.726	551.60.926	551.60.326	551.60.126
600 mm	551.60.727	551.60.927	551.60.327	551.60.127
650 mm	551.60.728	551.60.928	551.60.328	551.60.128

## FRONT PANEL HOLDER FOR INTERNAL PAN DRAWERS



- > For 185 mm height internal drawer
- > For use with 92 mm high drawer sides and front panel, to create internal drawer box with railing
- > Order rail set, cross rail and stabilising plate separately
- > Clips onto drawer sides, rail is inserted into the holder
- > Plastic
- > Order qty: one pair

Finish	Cat No.
White	553.61.691
Grey	553.61.591
Silver	551.61.991
Anthracite	551.61.391

## FRONT PANEL HOLDER FOR STANDARD DRAWERS



- > For 97 mm height internal drawer
- > For use with 92 mm high drawer sides and front panel, to create internal drawer box
- > Order fixing screws separately
- > Order qty: one pair

Finish	Cat No.
White	553.61.692
Grey	551.61.592
Silver	551.61.992
Anthracite	551.61.392
Bronze	551.61.192

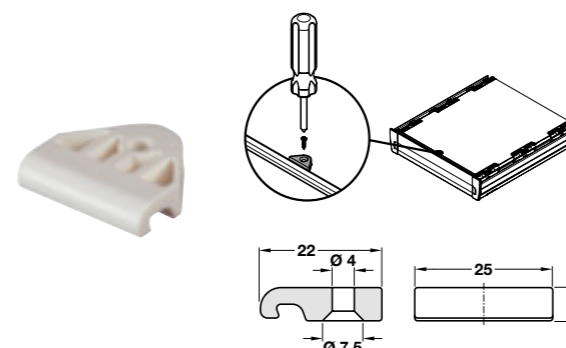
## PANEL HOLDER SET



- > two Front brackets
- > Panel holders with tension spring, adjustable screw for front bracket and insert for drawer sides
- > two Cover caps
- > two Panel holders, rear
- > two Rear panel fittings

Colour	Cat No.
White	553.60.699
Silver metallic	551.60.599
Anthracite metallic	551.60.999
Bronze metallic	551.60.199

## FRONT PANEL STABILISING PLATE SET OVER EXTENSION SET 92 MM



- > For use with internal drawers
- > For stabilising the front panel against buckling when pulling out the drawer
- > Recommended for use with drawer widths 600 mm and wider
- > Plastic
- > Order qty: one set

Finish	Cat No.
White	553.61.780



- > to allow for waste bin applications
- > one pair drawer side height 92 mm with pre-mounted rear panel bracket
- > one pair over extension, soft-closed, synchronized runners, +35 mm more extension than standard full extension
- > one pair of cover caps with Häfele logo

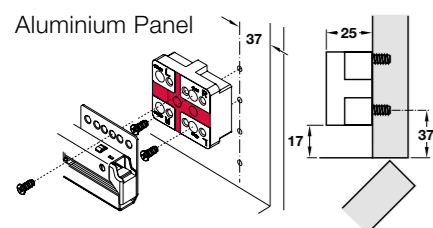
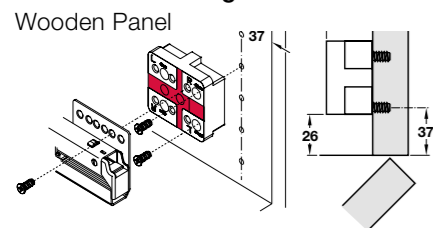
Color	Loading capacity 45kg	
	Length mm	Cat No.
White	500	551.54.785
Grey	500	554.54.586
Silver	500	551.54.985
Anthracite	500	551.54.385
Bronze	500	551.54.185

# ACCESSORIES.

## MOOVIT MX SPACER BLOCK



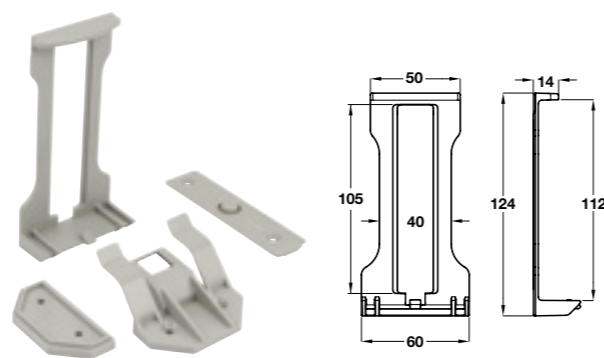
### Installation to hinge side



- > For internal drawer box, when used in hinged door cabinet, compensates for door offset
- > 2 spacers blocks are required per pair of runners
- > Plastic
- > Order qty: Multiples of 2 pcs

Finish	Cat No.
White	553.62.700

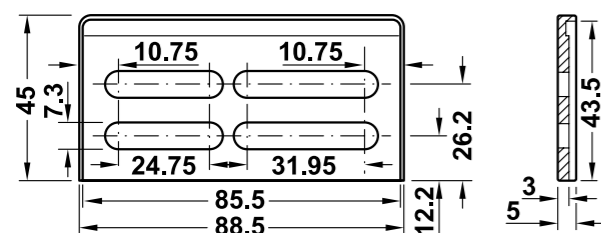
## INTERNAL DRAWER CLIP SET



- > For use with standard internal drawers only
- > Clips into internal drawer for automatic opening of drawer when door front pulled out
- > Plastic
- > Order qty: 1 set

Finish	Cat No.
Grey	559.91.991

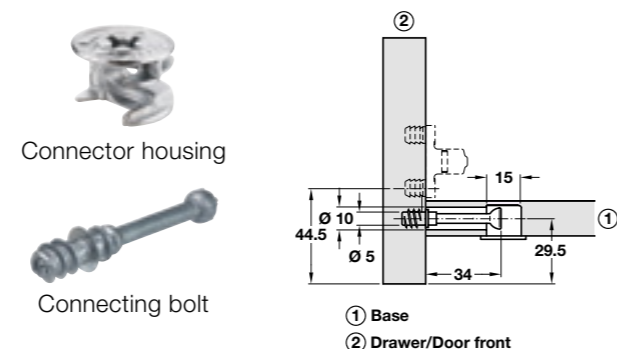
## SPACER



- > Spacers available for different side wall thicknesses
- > White plastic
- > Order qty: 1 pc (4 pcs required per drawer)

Thickness	3 mm
Cat No.	502.03.999

## MINIFIX 15 HOUSING WITHOUT RIM AND CONNECTING BOLT



- > For wood thicknesses from 16 mm
- > For use with drawers over 800 mm wide
- > Drive: PZ2 cross slot, flat blade or SW4 hexagon socket
- > Zinc alloy
- > Order qty: Multiples of 100 pcs

Finish	Connector housing	Connecting bolt
Bright	262.26.033	262.28.611

# DRILLING JIG.

## MOOVIT MX DRILLING JIG



- > For drilling exact the series drilled holes for Moovit Moovit MX
- > Supplied with mounting instructions
- > Acrylic, aluminium fixing profile

	Cat No.
For all versions	553.69.039

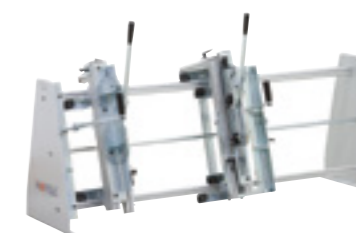
## SELF CENTERING DRILL BIT



- > For exact drilling of drill holes when using drilling jigs for Moovit MX
- > With drill bit
- > Steel

Drill bit diameter	Cat No.
Ø 3 mm	001.25.791
Ø 5 mm	001.25.792

## PRESSOMAT DRAWER PRESS



Pressomat 200, for pressing fixing claws into drawer bases. Photo shows Pressomat 200 with extension



Pressomat 400, for press fitting claws into drawer bottoms and assembly of rear steel panels

- > For rapid assembly of Moovit MX drawers
- > For drawers variably adjustable up to max. 1200 mm
- > Galvanized steel
- > **To order: Please contact us for details**

## MOOVIT MX MARKING GAUGE FOR 16 MM DRAWER BASES



- > For mounting drawer fronts after the drawer box has been installed in the cabinet, with vertical adjustment
- > For marking fixing points of Moovit MX front fixing brackets
- > Horizontal gap between drawer fronts can be individually altered by vertically shifting the angled support bracket
- > Plastic with zinc-plated steel marking pins and screws
- > Installation instructions included

	Cat No.
Moovit MX marking gauge	553.69.035

# MOOVIT MX.

PREMIUM PRODUCTION TO OUTSTANDING SERVICE.



Häfele is an internationally leading company of hardware technology and electronic locking systems. With 37 subsidiaries, numerous additional dealerships around the world and wide product portfolio presence in more than 150 countries and a history of over 90 years of experience and continuous innovation, Häfele is becoming a world's leading home as well as project solution provider.

The Moovit MX Drawer System is our latest product innovation – engineered by Häfele. This new system combines our experience in product innovation with premium production – to the benefit of our customers.

Outstanding customer service comes as standard with our technical advice from Häfele's qualified support team.

## YOUR WAY TO HÄFELE:



[www.hafele.com](http://www.hafele.com)

or your local Häfele contact.



**HÄFELE**

732.02.611-3-09/16

[www.hafele.com](http://www.hafele.com)